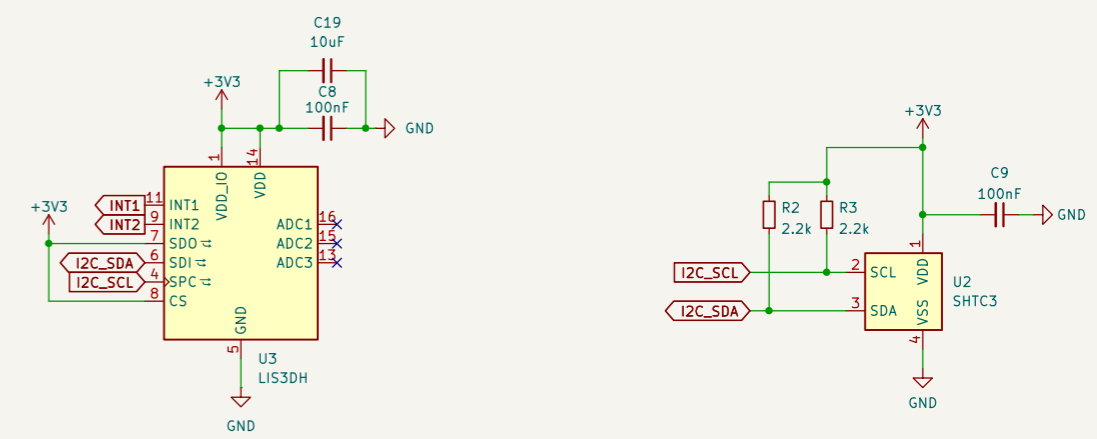
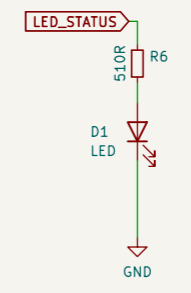


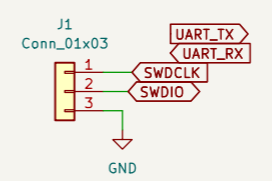
SENSORS



BATTERY, AND LEDS



SERIAL DEBUG & SWD



Sheet: /		
File: iW-iBeacon.kicad_sch		
Title:		
Size: A3	Date:	Rev:
KiCad E.D.A. 10.0.3		Id: 1/1